

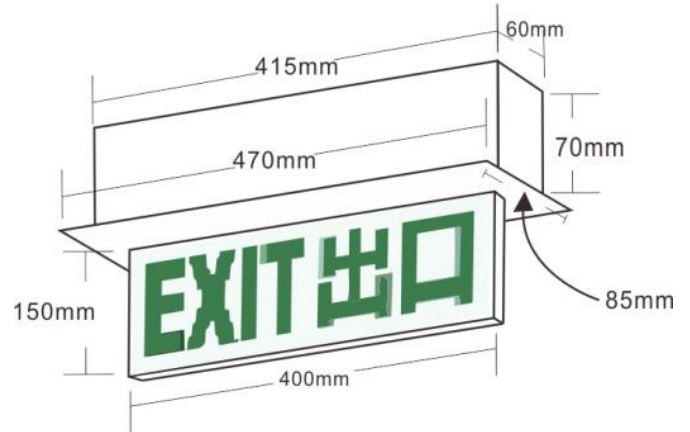
# LED EXIT SIGN PLATE

## MAINTAINED TYPE - RECESS MOUNTED

### Features

- Low power consumption
- Changeover complete in 1 second
- Long lamp life of LED's
- Single / Double Side
- Easy to install
- Nickel Cadmium Battery incorporated for emergency backup purpose (Ni-MH Battery is available upon request)
- Three hours battery backup for emergency operation
- Provided With a " Test" Button for regular maintenance check

### "Golden Star" ES-2C-01R (Recess Mounted)



### Standards

- BS 5266-1:2016
- BS EN 60702-1:2002
- BS 5499-3:1990
- BS EN 60702-2:2002
- BS 5499-4:2013
- FSD PPA/104(A) 4th Revision
- BS 6207-3:2001
- FSD COP (2012) Clause 5. 10
- BS 6387:2013
- IEC 60695-2-10:2013
- BS EN 60598-2-22:2014 (850°C glow wire test)



### Product Specification

Model	ES - 2C - 01R
Lamp Type	LED
Mounted Type	Recess Mounted
Luminaires Type	Maintained type
Power Consumption	3W
Battery	3.6V 1000mAh Ni-Cd(Ni-MH is available upon request)
Full Charge Period	12 hours
Emergency Backup Duration	3 hours
Main Supply Voltage	A/C 220V~240V 50Hz +/-10%

# LED EXIT SIGN PLATE

MAINTAINED TYPE - RECESS MOUNTED

The installment of the exit sign plate is very easy and simple. It is using LED which is comparatively energy saving.

**"Golden Star " ES-2C-01R**



**"Golden Star " ES-2C-01R**



Ideal for public locations such as industrial, commercial buildings, factories and warehouses.

## Legend

